

Nano-N1241

Intel® Alder Lake N100 Processor - **Network Security**

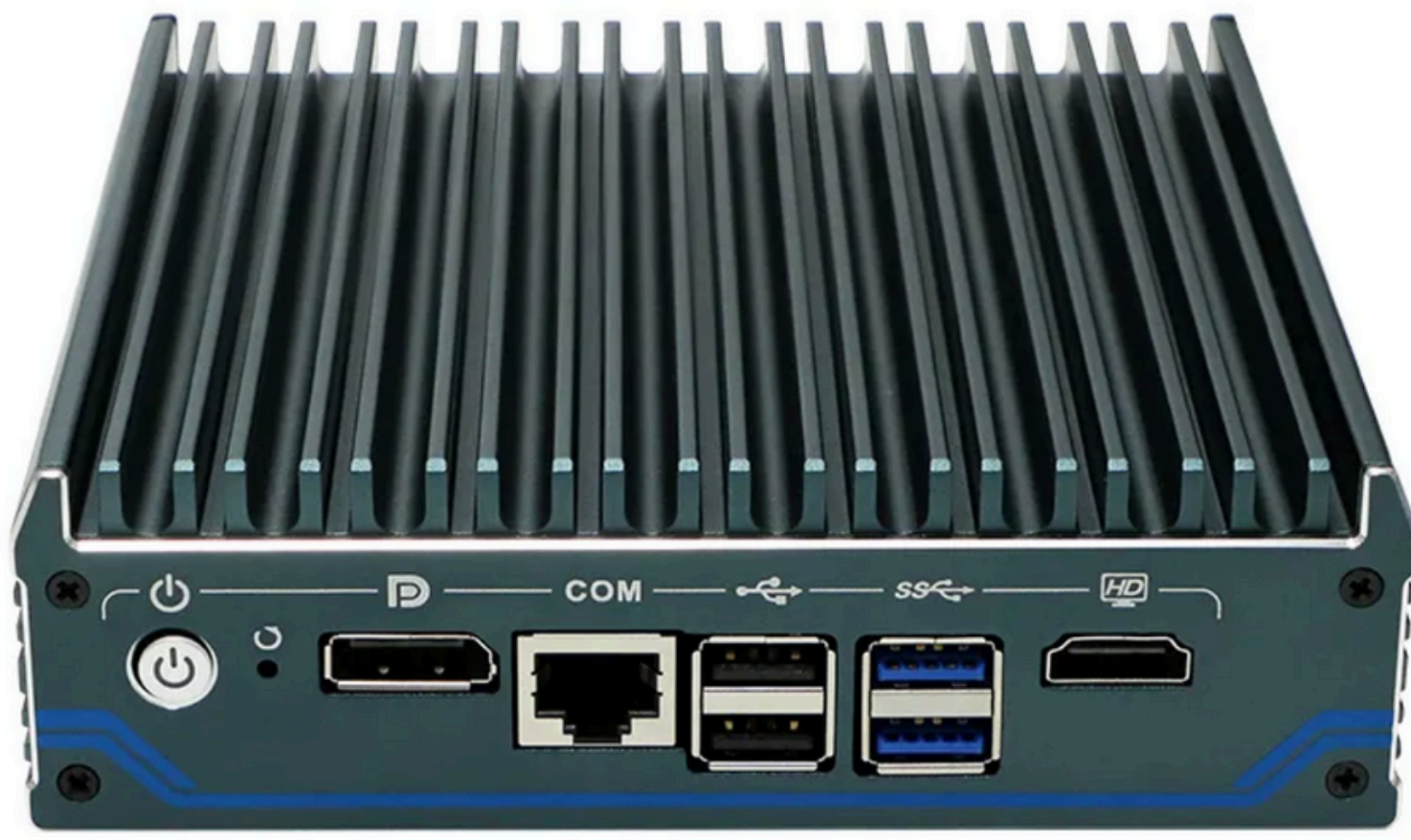
FEATURES



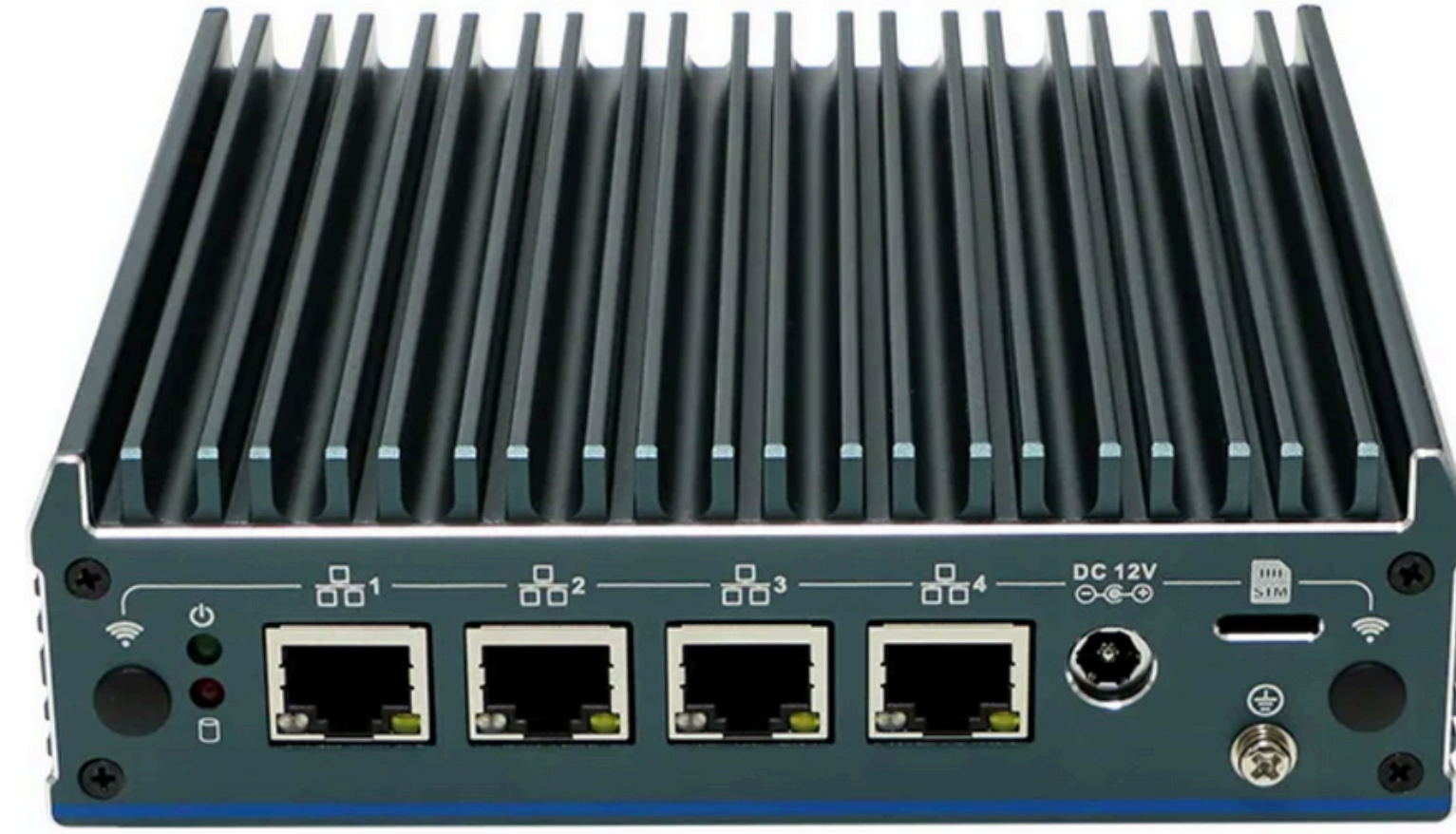
- Fanless Aluminum Design
- Intel® Alder Lake N100 Processor
- 4 × Intel i226-V 2.5G LAN Ports
- 3 × M.2 (support WiFi and 4G/5G at the same time)
- 1 × HDMI, 1 × DP

SPECIFICATION

SYSTEM	
Processor	Intel® Alder Lake N100 Processor (quad core four threads, Max. Turbo 3.4GHz)
CPU Architecture	Alder Lake-N
Memory	1 × DDR4 3200MHz SODIMM, Max. 16 GB
BIOS	AMI UEFI BIOS
Display Chip	Intel® UHD Graphics
Display Port	1 × HDMI 1 × DP Support synchronous/asynchronous 2 display Max. Resolution 4096x2160@60Hz
Storage	1 × M.2 2280 1 × 2.5-inch HDD/SSD
Expansion	1 × M.2 2280 M-key (support SATA protocol) 1 × M.2 2230 E-key (support WiFi, Bluetooth) 1 × M.2 3052 B-key (USB 3.0 signal, support 4G/5G), outside SIM Card Slot
OS Support	Windows 10, Windows 11, Linux, iKuai, pfSense
Front I/O	1 × Power Button 1 × DP 1 × RJ45 COM Port (support console function) 3 × USB 2.0 1 × USB 3.1 1 × HDMI 1 × Reset Button
Rear I/O	4 × RJ45 LAN Ports 1 × DC-In 1 × SIM Card Slot
Ethernet	4 × Intel i226-V 2.5G LAN Ports
Power	DC 12V
Other Function	Power-on, timed power-on, network wake-up, PXE boot, watchdog (level 0-255), TPM2.0 security encryption
Application	Firewall, VPN, Network Server, Network Security, Router etc.
ENVIRONMENT	
Operating Temperature	0°C ~ 40°C (Commercial HDD), -20°C ~ 50°C (Industrial SSD), surface air flow
Relative Humidity	0% ~ 95% (non-condensing)
Certification	CE, CCC, FCC Class A, RoHS
MECHANISM	
Dimension	144 × 136.7 × 42 mm
Net Weight	0.79 kg



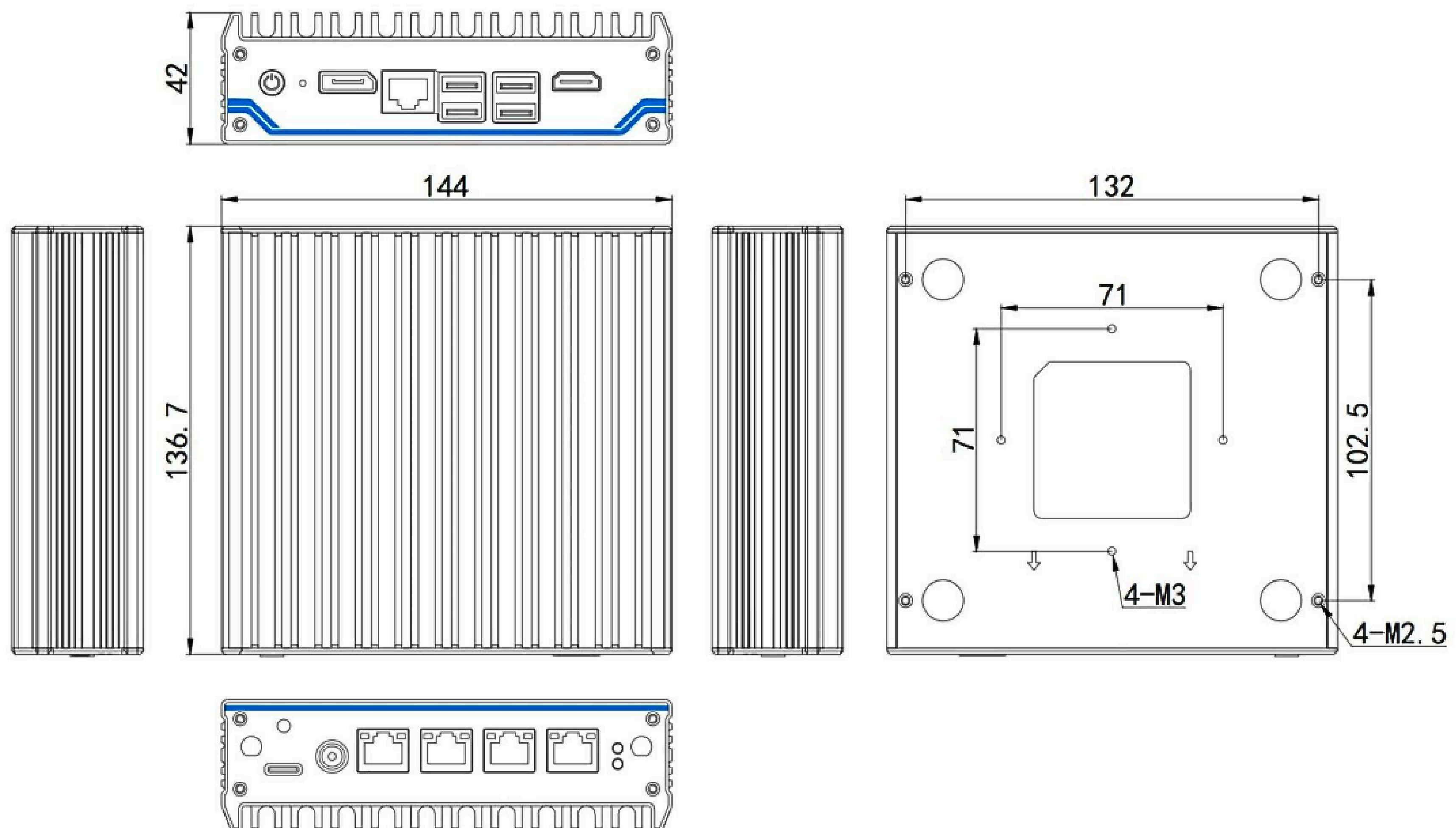
Front View



Rear View

DIMENSION

unit:mm



ORDER INFORMATION

Nano N1241	CPU	Specification
Configuration	Intel® Alder Lake N100	Standard I/O

Note: When WiFi and 4G modules are used at the same time, antenna fixing holes need to be added. If you have any questions, please consult pre-sales technicians.

ACCESSORY

Part Name	Quantity	Specification
Power Adapter	1	12V 3.3A / 12V 4A
Power Cord	1	CN, US, UK, EU etc.
VESA Bracket	1	Standard